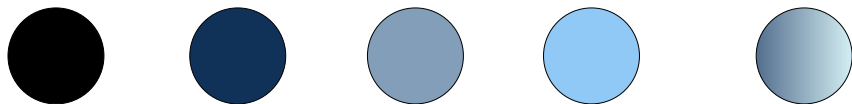


March 26, 2017 (Brazil)

pattern: Ethereal
developed by: Ademir Romano

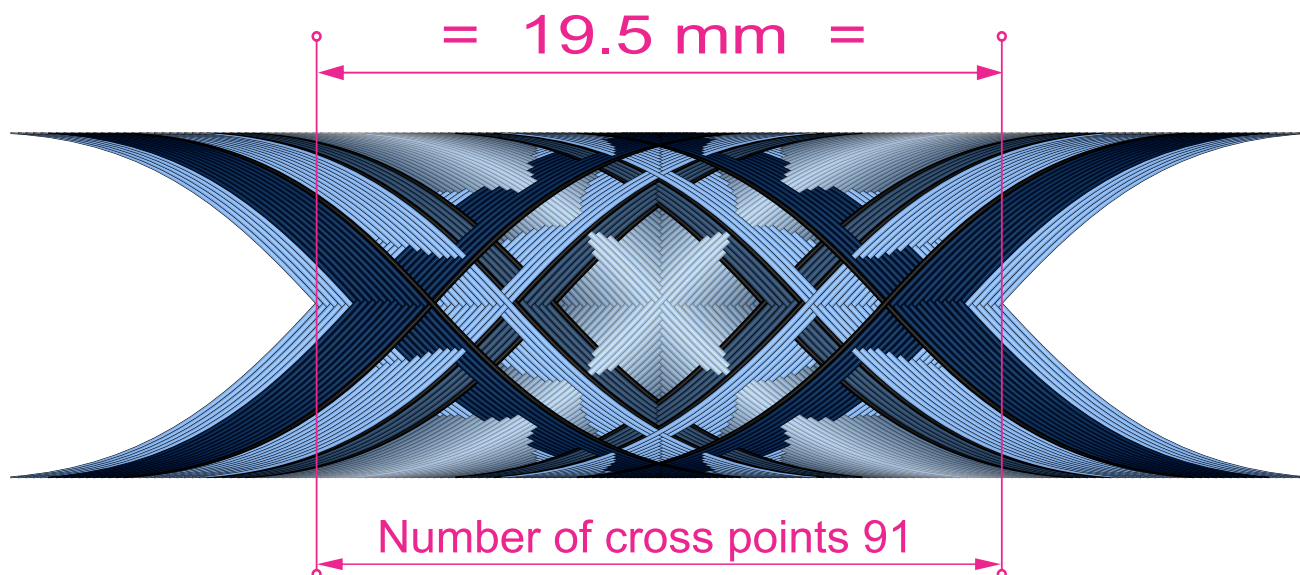
5 colors

Shading



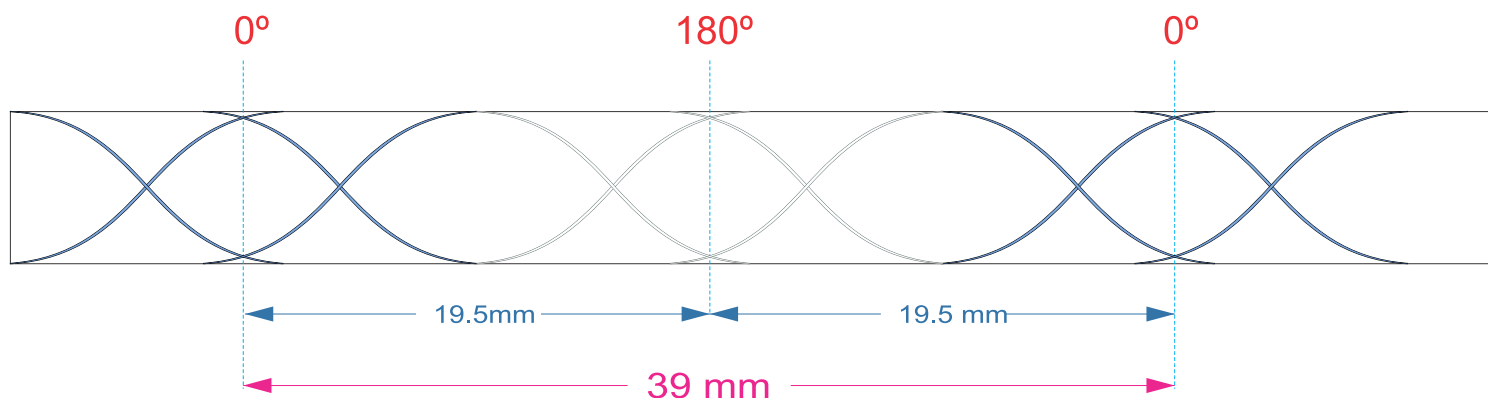
Approximate length of Pattern:

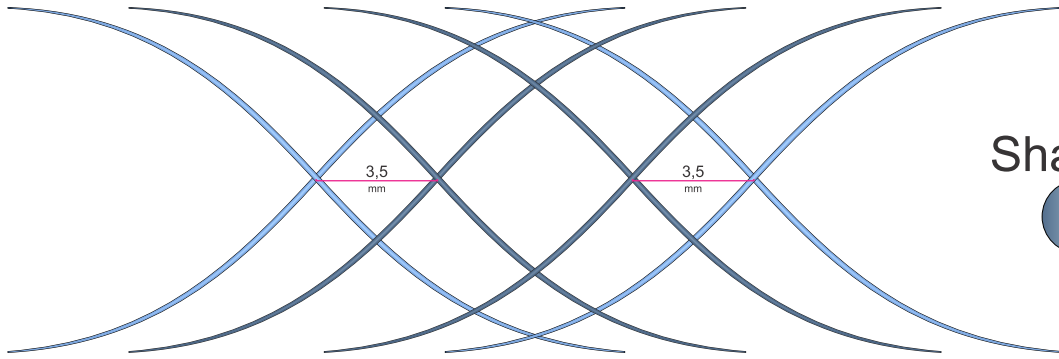
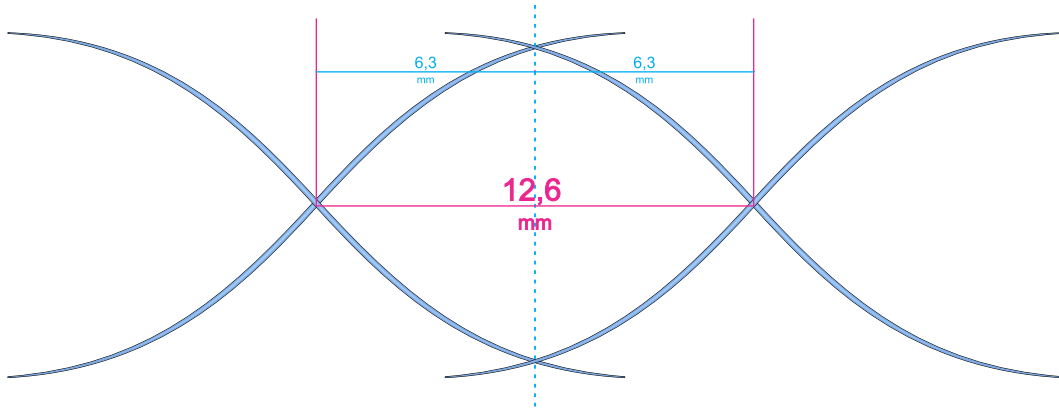
* Using one thread size "A" per step = 19.5 mm



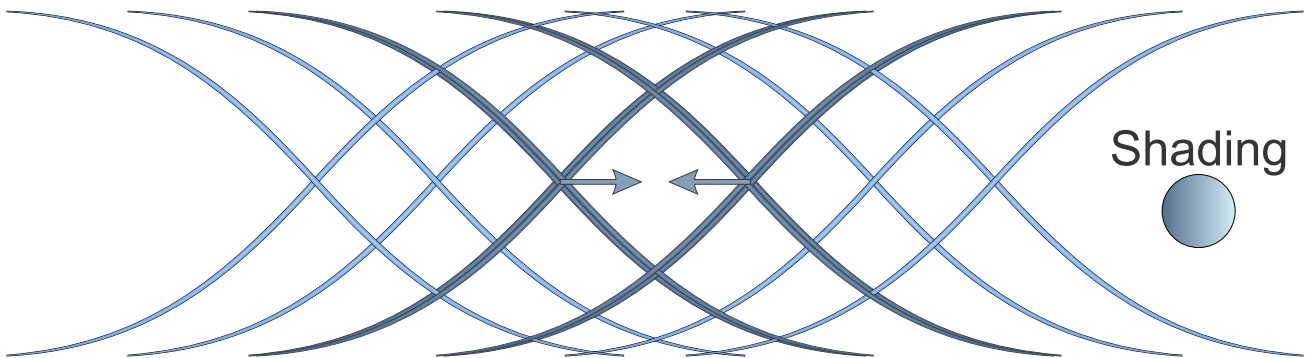
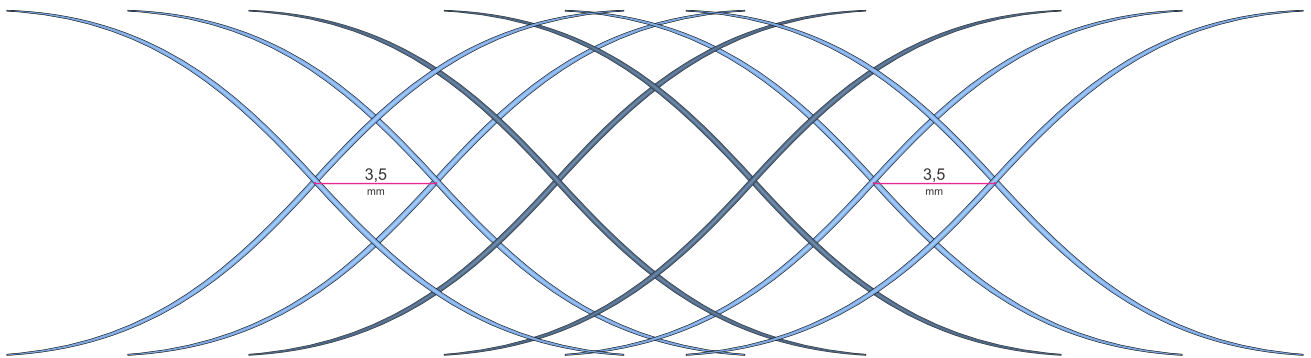
Your setup will look like this

Keep in mind that this is an approximate measure





Shading



Shading



